



AWP SPECIFIC DROP-IN

- IEC320/C14 Universal AC Inlet Plug on 200mm pigtail
- 180mm (7") LED Signal Harness (6-pin Deutsch Connector)
- Anderson SB50 (RED) Charger Output; Batt +ve (B+) Batt -ve (B-)
- TYCO Mate-N-Lock Interlock

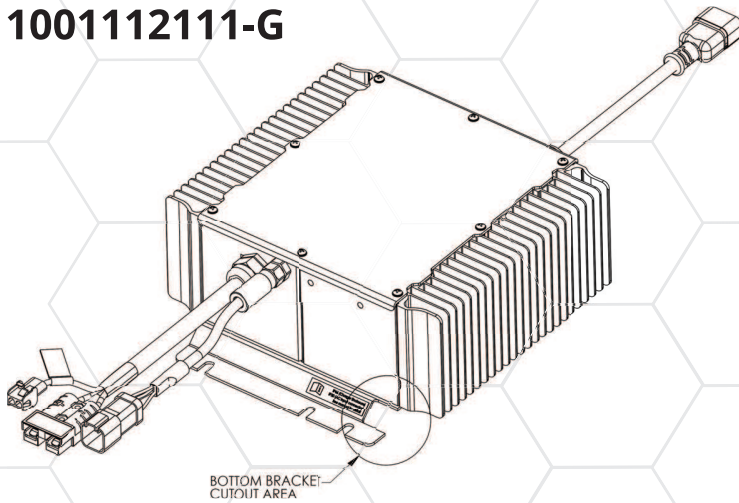


OUR 912-2400-16 PART NUMBER REPLACES

JLG Part # or Delta-Q Part #

400238
1001112111
1001112111-G

912-2400-J2
912-2400-J7



***Drop in for Generation 3 ES series lifts built 2009 and beyond**

Note:
USA built units serial # 0200152826 to present
Belgium built units serial # 1200008482 to present
China built units serial # 200000100 to present